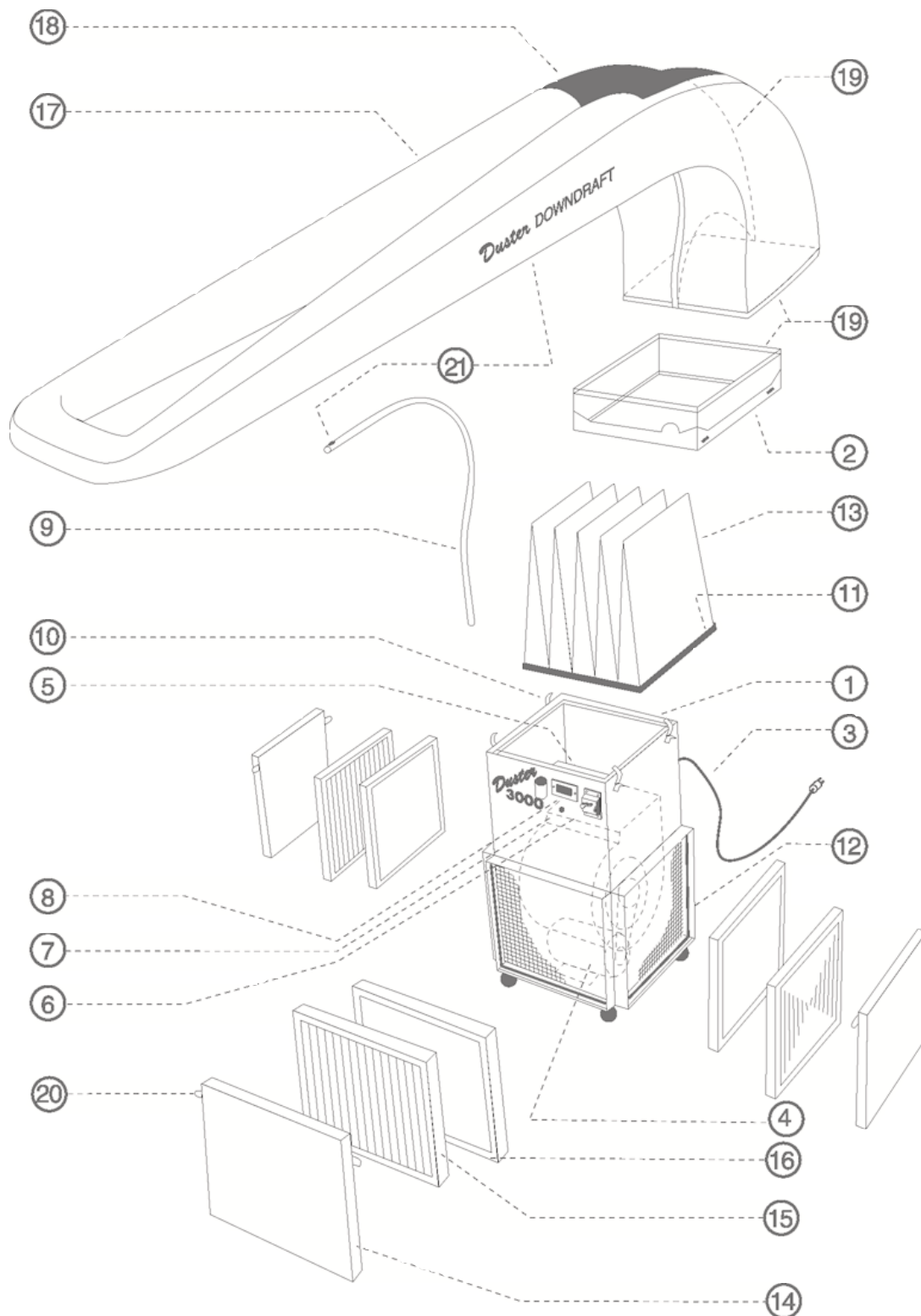


# PARTS AND REFERENCES

## DIAGRAM



# PARTS LIST AND REFERENCES

1. Housing Assembly – sheet metal zinc coated, powder coated
2. Lexan Filter Shroud - **DO NOT CLEAN WITH THINNERS!**
3. Power Cord: 50 Ft. / 15m., CSA approved. If the power cord is damaged, it must be replaced by the manufacturer or its service agent/dealer or a qualified electrician to avoid being a hazard.
4. Motor: 1-1/3 HP Explosion proof motor, 110 Vac, 12 amp made in U.S.A.
5. Blower: Squirrel cage blower
6. On / Off Switch Cover: Explosion Proof
7. Warning Indicator Yellow 'Flashing' Light
8. Digital Air Flow Gauge
9. PVC Plenum Support Rod
10. Quick Release Latches (4)
11. Filter Seals: Top Neoprene (top pocket filter seals)
12. Filter Seals: Bottom (intake filter seals)
13. Viledon Top Pocket filter – Not cleanable. Note: install with 5 peaks facing front panel as shown in diagram (see page 13)
14. 2" Intake Filter Pad with Tackifier (3) 24" x 24" x 2" (66 cm x 66 cm x 5cm) cleanable
15. 4" Pleated intake filters (3) 24" x 24" x 4" (61 cm x 61 cm x 5 cm) cleanable
16. 2" Activated Carbon filters (3) 24" x 24" x 2" (660cm x 660cm x 5cm) not cleanable.
17. Downdraft Plenum, light weight high strength polyester. Repair kit available with repair instruction.
18. Black Plenum Discharge Diffuser cleanable  
Option: 24" Plenum Truck Extension, attached with Velcro to plenum
19. Velcro Connections: around perimeter of Lexan shroud to connect downdraft plenum to machine.
20. Velcro Connector Tabs: Secures intake filters in place to the unit housing.
21. Velcro Tab: To keep downdraft plenum from slipping off PVC support arm when machine is running.

# Duster

## 3000 DOWNDRAFT



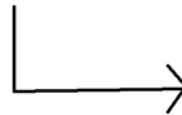
00312



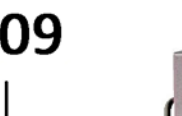
00311



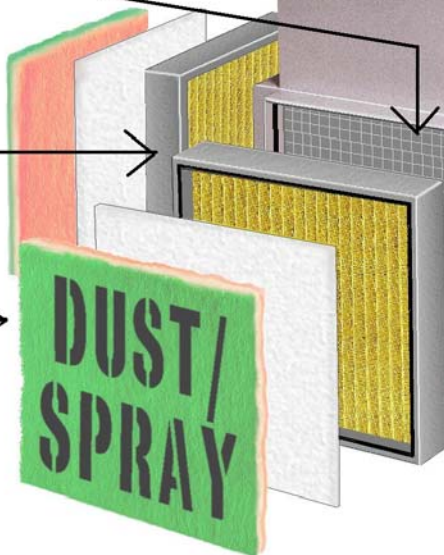
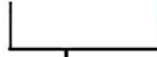
11207



11209



11205



11703



# SPARE PARTS